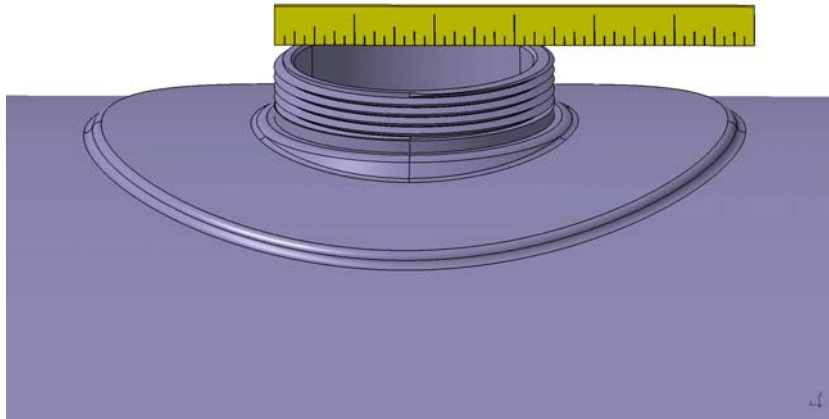


HOW TO MEASURE FUEL TANK FILLER NECK

Measuring the outside diameter:

Measure, in inches, the fuel tank filler neck opening



Number of threads:

To calculate the number of threads per inch, take a ruler and starting at the top of a thread, count the number of tips over a ½ inch area and multiply by 2.

Example: 4 tips over a ½ inch area x 2 = 8 threads per inch.

